



CubRoundtable.com



Volume 7, Issue 8
Nov., 2009

Welcome to www.CubRoundtable.com
RT Newsletter

Webeles activity badges Craftsman and Readyman

Theme: Cub Scout Salute

PRE OPENING ACTIVITIES

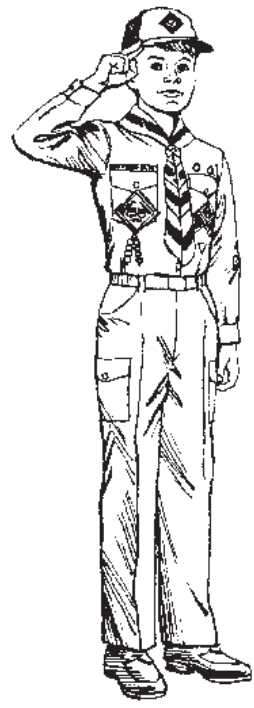
Achievements and Electives partly from the inside cover of the Program Helps for 2009-2010.

November: Cub Scout Salute

Tigers – Ach at Den Meeting 2D, 2G – Ach at Home 2F – Elect. 6, 35

Wolf - Ach at Den Meeting 2A, 2B, 2E, 2G, 7D, 7F – Ach at Home 6A, 6B, 6C, 8A, 8B, 8C, 8D, 8E –Elect. 4, 5, 11A, 11B

Bear – Ach at Den Meeting– 3A, 3B, 3F, 6G, 11D, 24D – Ach at Home 3J, 11A-E, 11G.



CUB SCOUT SALUTE PUZZLE

W	L	S	T	H	F	P	N	Z	S	R	S	D	S	P
T	W	J	N	A	E	A	X	I	Z	R	Z	E	C	V
G	X	N	M	A	M	R	L	J	E	J	P	T	O	L
X	Z	I	I	E	R	E	O	D	U	E	N	E	U	Z
E	L	H	R	H	N	E	A	I	U	P	C	C	T	D
Y	F	I	Z	T	E	E	T	H	S	U	S	T	S	D
C	F	A	H	W	L	R	M	E	Z	M	R	I	W	U
E	W	E	S	T	O	V	O	S	V	D	E	V	H	M
S	R	L	U	E	T	O	G	I	A	B	H	E	J	A
O	D	O	C	T	O	R	S	D	C	M	C	S	M	Y
J	C	K	M	V	L	E	E	Y	T	D	A	Q	O	Z
S	N	A	M	E	C	I	L	O	P	B	E	T	M	V
C	I	T	I	Z	E	N	S	H	I	P	T	E	A	B
O	X	I	V	P	J	O	R	E	H	R	C	D	D	V
I	D	K	D	G	A	X	J	O	P	Y	H	A	O	S

WORDS FOR THE CUB SCOUT SALUTE!

- | | | |
|--------------|---------------|------------|
| CITIZENSHIP | FIREMAN | POLICEMAN |
| TEACHERS | DAD | HERO |
| SAFE | VETERANS | DETECTIVES |
| HEROIC DEEDS | SCOUT LEADERS | DOCTORS |
| HEROISM | SCOUTS | FAMILY |
| MOM | SILENT HERO | |



ANSWERS TO CUB SCOUT SALUTE PUZZLE

~~W L S T H F P N Z S R S D S P~~
~~T W J N A E A X I Z R Z E C V~~
~~G X N M A M P L J E J P T O L~~
~~X Z I I E R E O D U E N E U Z~~
~~E L H R H N E A I U P C C T D~~
~~Y F I Z T E E T H S U S T S D~~
~~C F A H W L P M E Z M R I W U~~
~~E W E S T O V O S V D E V H M~~
~~S R L U E T O G I A B H E J A~~
~~O D O C T O R S D C M C S M Y~~
~~J C K M V L E E Y T D A Q O Z~~
~~S N A M E C I L O P B E T M V~~
~~C I T I Z E N S H I P T E A B~~
~~O X I V P J O R E H R C D D V~~
~~I D K D G A X J O P Y H A O S~~

Words to the 911 Puzzle

4 letters
 Fire
 Help

6 Letters
 Oxygen
 Police
 Rescue
 Splint

8 Letters
 Accident
 First Aid
 Operator
 Readyman

9 letters
 Telephone
 Ambulance
 Emergency
 Paramedic

Number Seek
 by Heart of America Council

5	0	0	8	1	0	7	7	5	4	9	8
3	9	3	2	6	9	9	0	0	5	7	6
8	6	8	3	2	5	0	7	5	0	5	2
3	4	8	2	9	1	1	4	8	9	7	2
3	6	5	6	5	2	0	4	2	9	5	7
7	6	7	4	8	4	0	5	4	0	3	2
0	1	5	1	6	0	9	1	8	8	1	0
5	9	3	8	3	1	5	4	4	2	6	1
1	8	7	5	4	2	0	8	5	1	7	5
6	2	9	4	6	6	7	2	3	0	2	6
4	8	8	0	8	5	3	4	7	8	7	6
7	5	9	8	0	7	8	8	3	1	4	3

911 Puzzle

Some clues are provided.



Crossword puzzle grid with some letters filled in:

- Down 1: E
- Down 2: E
- Down 3: E
- Down 4: E
- Down 5: E
- Down 6: E
- Down 7: E
- Down 8: E
- Down 9: E
- Down 10: E
- Down 11: E
- Down 12: E
- Down 13: E
- Down 14: E
- Down 15: E
- Down 16: E
- Down 17: E
- Down 18: E
- Down 19: E
- Down 20: E
- Down 21: E
- Down 22: E
- Down 23: E
- Down 24: E
- Down 25: E
- Down 26: E
- Down 27: E
- Down 28: E
- Down 29: E
- Down 30: E
- Down 31: E
- Down 32: E
- Down 33: E
- Down 34: E
- Down 35: E
- Down 36: E
- Down 37: E
- Down 38: E
- Down 39: E
- Down 40: E
- Down 41: E
- Down 42: E
- Down 43: E
- Down 44: E
- Down 45: E
- Down 46: E
- Down 47: E
- Down 48: E
- Down 49: E
- Down 50: E
- Down 51: E
- Down 52: E
- Down 53: E
- Down 54: E
- Down 55: E
- Down 56: E
- Down 57: E
- Down 58: E
- Down 59: E
- Down 60: E
- Down 61: E
- Down 62: E
- Down 63: E
- Down 64: E
- Down 65: E
- Down 66: E
- Down 67: E
- Down 68: E
- Down 69: E
- Down 70: E
- Down 71: E
- Down 72: E
- Down 73: E
- Down 74: E
- Down 75: E
- Down 76: E
- Down 77: E
- Down 78: E
- Down 79: E
- Down 80: E
- Down 81: E
- Down 82: E
- Down 83: E
- Down 84: E
- Down 85: E
- Down 86: E
- Down 87: E
- Down 88: E
- Down 89: E
- Down 90: E
- Down 91: E
- Down 92: E
- Down 93: E
- Down 94: E
- Down 95: E
- Down 96: E
- Down 97: E
- Down 98: E
- Down 99: E
- Down 100: E

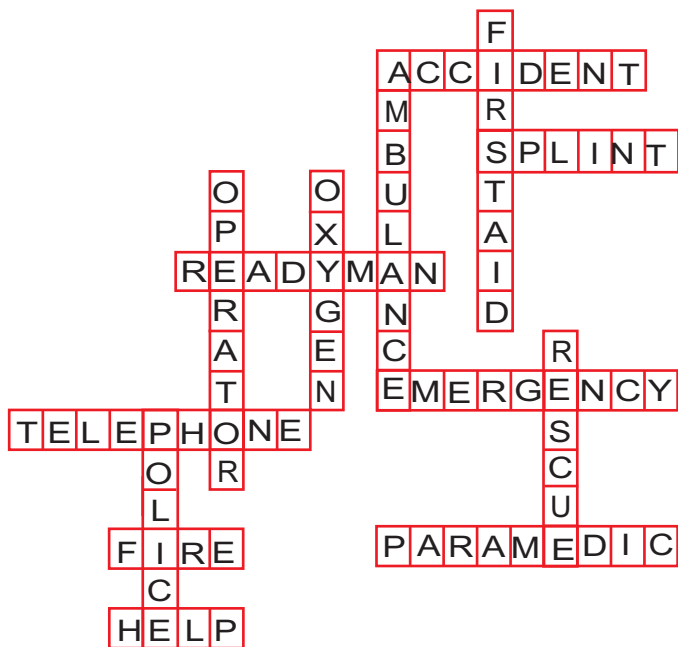
- | | | |
|-------|-------|-------|
| 1881 | 51769 | 4295 |
| 54842 | 5900 | 58088 |
| 7338 | 58248 | 15260 |
| 58276 | 16295 | 59144 |
| 28138 | 61507 | 29330 |
| 73252 | 29466 | 77007 |
| 42011 | 80788 | 43160 |
| 94507 | 45100 | 94528 |
| 45138 | 95124 | 51609 |
| 97893 | | |



Answers to Number Seek

5	0	0	8	1	0	7	7	5	4	9	8
3	9	3	2	6	9	9	0	0	5	7	6
8	6	8	3	2	5	0	7	5	0	5	2
3	4	8	2	9	1	1	4	8	9	7	2
3	6	5	6	5	2	0	4	2	9	5	7
7	6	7	4	8	4	0	5	4	0	3	2
0	1	5	1	6	0	9	1	8	8	1	0
5	9	3	8	3	1	5	4	4	2	6	1
1	8	7	5	4	2	0	8	5	1	7	5
6	2	9	4	6	6	7	2	3	0	2	6
4	8	8	0	8	5	3	4	7	8	7	6
7	5	9	8	0	7	8	8	3	1	4	3

Answer to 911 Puzzle



Opening Campfires

Personnel: 7 Cubs

Equipment: Artificial Campfire

Cub 1: (As fire is lighted) The early cave men used the fire to protect themselves from wild beasts and to warm their bodies.

Cub 2: In ancient times the Phoenicians used fire on mountain tops or high pillars as beacons for their ships.

Cub 3: The American Indian used fire to hollow logs for his canoes, to fire pottery and for ceremonial purposes.

Cub 4: The pioneer used fire to forge rims for his wagon wheels. The silhouette of the village smithy against his fire was a common sight in early America.

Cub 5: The cowboys of the old west sat around the campfire with a pot of coffee and beans. Their entertainment was the signing of ballads of the trail, accompanied by guitar or harmonica.

Cub 6: Fire today makes the wheels of commerce and industry turn. In essence, fire has put men on the moon.

Cub 7: Fire is the universal symbol of Scout camping. The fellowship around the campfire is one of the most lasting memories in the life of a Scout. If every Cub Pack and Boy Scout troop in the world had a campfire such as this one tonight, the glow would light the world with a new hope for mankind.

A Great Host of Heroes

By Heart of America Council

Personnel: Cubmaster or Den Leader

Setting: The colors are advanced in the normal manner. A spotlight is shined on flag while the narrator speaks off stage.

Flag: A great host of heroes, with the help of God, have kept me gallantly flying in the face of every threat and challenge to the democratic way of life I represent. The blood spilled in battles great and small all over the world is in my red stripes. The shining light of freedom is in my white stripes, penetrating the blackest night and filling the nations darkest hours with hope. The vast infinity of the heavens is in my stars, inspiring mankind to continue climbing up the staircase of history to a world of glowing promise. I am the emblem of man's finest dreams. I am the last hope of peace on earth. I am the American Flag.



Ceremonies

Fire Safety Opening

By Santa Clara Council

Setting: The room lights are turned off. The Cubmaster lights a candle.

Cubmaster: Cub Scouts, this candlelight represents the spirit of Cub Scouting, lighting our way through life. This flame also represents danger. As fire detectives, you have learned about the danger of fire and how to prevent it. Let's remember what we have learned so we will always use fire wisely and safely, not only today but the rest of your life.

This light of Cub Scouting gives us warmth and good cheer. Make sure it is never allowed to run wild and destroy lives and property. Let's always be fire detectives.

(Lights on. Have a Webelos den post the U.S. flag and lead in the Pledge of Allegiance.)

Three Elements

By Heart of America Council

Personnel: Cubmaster

Cubmaster: I still remember when I was a Cub Scout and they taught us that a fire has to have three elements: Heat, fuel and air. Without any of those parts, no fire.

Our Pack needs several elements, too. We need boys to become Bobcats, Bobcats to become Wolves, Wolves to become Bears, and Bears to earn the Webelos badge and Arrow of Light. Each one of the boys we recognize here tonight is doing his part to keep our Pack going, just as it says in the Law of the Pack.

(Present awards. A fire fighter, in uniform, could be present. It would be a nice touch for him to hand the badges to the parents for them to pin on. He should, of course, congratulate the boys, too.)



HOMETOWN HEROES OPENING

By Santa Clara Council

C.S.#1: Sometimes a local hero is obvious, the policeman who risks his life to protect us from violence or the fireman who pulls people out of burning buildings.

C.S.#2: Other heroes that come to mind are the ambulance drivers, paramedics, doctors and nurses who save lives everyday.

C.S.#3: Some people around us seem like regular people, but they are heroes because they used to be soldiers in the military and served our country to keep us free.

C.S.#4: A hero is someone who does the right thing, even when they are afraid of failure. They do it because it should be done.

C.S.#5: Some heroes are harder to spot, but they are still there. My heroes include the people who donate blood, teachers who spend their time and energy helping kids, and kids who say "No" to drugs.

C.S.#6: Heroes are all around us. Please join in saluting all the heroes of our country, by repeating with me the Pledge of Allegiance to the Flag.

AS A GOOD CITIZEN OPENING

C.S.#1: As a good citizen I will try to be helpful and kind.

C.S.#2: I will strive to take good care of all property and practice safety and health rules.

C.S.#3: I will practice thrift and good work habits.

C.S.#4: I will show a respect for authority. I will be honest and dependable.

C.S.#5: Fair play and good manners will be my goal.

C.S.#6: I will take pride in achieving and be patriotic and loyal to my hometown and country.



BE A HERO IN A CHILD'S LIFE. PROVIDE A GREAT PROGRAM.GET TRAINED!

Run-Ons

By Santa Clara Council

- What does a desert doctor always carry?
- A thirst aid kit.
- Fire Bucket Brigade Cheer: Pretend to pass buckets of water, throw water on fire saying "SWWOOOSSSHH."
- Fire Engine Cheer: Divide into four groups.
 1. Bell... "ding, ding, ding."
 2. Horn... "honk, honk, honk."
 3. Siren... "rrr, rrr, rrr."
 4. Clanger... "clang, clang, clang."
 Have everyone yell at once.

Applause

By Santa Clara Council

Fireman's Applause: Make sounds, "Crackle, crackle, pop" as you move your fingers over your head. Then make a sound like a fire engine. Grab your hose and spray on the fire and "hiss-s-s" – the fire is out.

HERO ADVANCEMENT

By Santa Clara Council

Props: "Medals of Honor" made from construction paper and attached to loops of crepe streamer to be hung around the Cub Scouts' necks. Label the medals "HERO."

Cubmaster: Often we hear of professional athletes being called "sports heroes." That's a colorful description, but all they are really doing is playing a game to entertain us. Some of these people really are heroes, but that comes from things they do off the playing field to help their communities.

A hero is a person who is not afraid to do what he believes is right. He is a person who wants to make things better for other people. He is usually prepared and trained to do the job. And he will do his best even if he is afraid because it is important to him to do what is right.

The following boys are heroes to me. They have chosen to work hard and prepare themselves in life by learning Cub Scouting ideals. They are learning to be independent and successful and happen to have a lot of fun along the way. Please join me in congratulating the heroes who have earned their Bobcat rank (call out names of boys and their parents) present rank awards and place medals around the boys' necks. Continue in a similar manner for each additional rank.

Fire Safety Achievement

(By Orange County Council PowWow, 1987)

As Cub Scouts, we must be aware of being fire safe. As we develop in Scouting, our knowledge increases, our awareness of safety protects us and those who live, play and work with us. Our responsibility to be fire safe and guide others increases as time goes on.

Entering into this beginning class are _____. Will these boys and their parents please come forward. These boys are receiving the Bobcat award. This award is the beginning of their training in Cub Scouting; a part of this training is fire safety. The parents will present this Bobcat Award to their son. Congratulations and welcome to the Pack.

Advancing in knowledge as a Wolf Cub Scout are _____. One of the requirements for the Wolf Scout is to know the location of the fire station in their neighborhood. This training directs the boys to safety within their community. This award is presented to the boys by their parents – Congratulations.

Another achievement in Cub Scouting is the earning of the Bear Award. Tonight several boys have earned this award. Will the following Cubs and their parents please come forward:

_____. While attaining skills in several achievements, the Bear Cub has gained advanced knowledge in fire safety. The achievement calls for action when a person's clothing is on fire. We are proud that these boys have learned the proper response. The parents will present the Bear Award to their son – Congratulations.

Receiving the Webelos Award tonight are _____. Will these boys and their parents please come forward. The knowledge of the outdoors has been initiated in the Webelos activities. Along with this knowledge is the learning of outdoor fire safety. The camping experiences include fire safety in the outdoors. Part of the Forester Activity is the Outdoor Code. Following this code can be both land-saving and life-saving and lead to a worthy Scout and citizen. The Webelos Leader will present the award to the parents and _____. Congratulations on your success in Scouting.



DEN LEADER RECOGNITION

By Santa Clara Council

This month's theme is "Hometown Heroes." As we found out, there are all kinds of heroes in our community--firefighters, policemen, teachers, doctors, and young Scouts, to name a few. In our pack we have heroes. They are den leaders, committee leaders and parent helpers. Tonight I would like to recognize one of our den leader heroes. This den leader has completed the requirements for the Den Leader Award. These requirements are not easy to do. You need extra special dedication to complete them. Will (Name of the leader), please come forward? We want you to know that we appreciate all the time and effort that you put forth. You are helping shape these boys' lives and building the leaders of tomorrow. I would like to present to you the Den Leader's Award Certificate and Square Knot that you can wear on your uniform.

Congratulations and Thank You.

NOTES: Leaders Awards are given at the District Dinner (please see the "Theme Related") but it should be re-presented or recognized at the pack meeting so the pack families and boys know the work that leader has done.

C.P.R. Skit

By Santa Clara Council

The first Scout comes out walking around; he suddenly grabs his chest and falls to the ground. Two other scouts come in talking about just completing their First Aid badge and find the scout on the ground. They rush to his aid and begin C.P.R. Adjust head, listen, feel for pulse and then begin (fake) compressions. The other scout counts. After about 3 sets, the other yells "switch". Suddenly the scout on the ground gets up, one of the two scouts lies down, and they begin to administer C.P.R.



The Magic Doctor's Chair

By Grand Canyon Council

Pay close attention here.

Cast:

- 1 doctor
- 4 patients

Equipment:

- two chairs.

Scene:

- Begins with doctor sitting on one of the chairs.
- First patient enters twitching their left arm.

Skit:

Doctor: And what's wrong with you sir?

Patient 1: As you can see doctor I have this terrible twitch

Doctor: Just sit on my magic chair and you'll get better

(The patient sits on the chair and stops twitching, but the doctor's left arm starts twitching.)

Patient 1: Oh thank you doctor. you cured me

(The patient leaves, the doctor still twitching calls for the next patient.)

Doctor: Next..... And what's wrong with you sir?

(This patient has the hiccups. The process of sitting in the chair is repeated. The doctor now has a twitch and the hiccups.)

(The third patient is called in, both his legs keep flicking in the air. The process is again repeated so that the doctor now has a twitching arm the hiccups and both legs flicking in the air.)

(The doctor now calls patient four. This patient looks quite normal, enters and sits in the magic chair.)

Doctor: And what may I ask is wrong with you sir?

Patient 4: I've got a terrible case of the runs doctor
(The doctor runs off the stage holding his stomach.)

One Good Deed

By Grand Canyon Council

One day in the year 1909 the city of London was in the grip of a dense fog. An American businessman, William D. Boyce, paused under a street lamp to locate himself. Out of the gloom a boy approached him and asked if he could be of help. Boyce told the boy that he was trying to find a certain business office in the center of the city. "I'll take you there," the boy said. When they got to the office, the American reached into his pocket for a tip. But the boy stopped him saying, "No thank you, sir. I am a Scout. I can't take anything for helping." Of course Boyce was curious. So the boy told him about himself and his brother Scouts. Boyce was interested and asked the boy to take him to the British Scout Office when he

was finished with his errand. There the boy disappeared. At the office, Boyce met Baden-Powell, the famous British general who had founded the Scouting movement. Boyce was impressed. And so, on Feb. 8, 1910, in Washington, DC, Boyce and a group of outstanding men founded the Boy Scouts of America.



But what happened to the boy? No one knows. He was never heard of again, but he will never be forgotten. In the British Scout Training Center at Gilwell Park, England, a statue of a buffalo was erected in honor of that "Unknown Scout". His Good Turn to one man became a Good Turn to millions of American boys. You can never tell...

Emergency Checklist

By Barb Stephens

Fill in the blanks with the correct information.

Then post this by your phone so you can reference it in an emergency.

Police or Fire - 911

I am _____

I live at _____

My phone number is _____

My birthday is _____

My parents are _____

Mother's work phone number is _____

Father's work phone number is _____

My brothers and sisters and their birthdays are:

_____ - _____

_____ - _____

_____ - _____

Our Doctor is _____

Our Doctor's phone number is _____

Our Doctor's address is _____

Names & Phone Numbers of Friends and

Neighbors:

_____ - _____

_____ - _____

Fire Safety Quiz

By Santa Clara Council

Use this at a den meeting by reading the questions and asking the boys to write down the letter of the correct answer, or by making copies and giving one to each boy.

1. What should you do to be ready if fire should strike your home?
 - a. Keep pails of water handy.
 - b. Have an escape plan and rehearse it often.
 - c. Be ready to carry out furniture.
 - d. Have a suitcase already packed.
2. In making your escape plan, why should you know two ways out of every room?
 - a. So I can see different parts of the house when I practice.
 - b. In case fire or smoke blocks one escape route.
 - c. To keep people guessing.
 - d. To make home fire drills more fun.
3. If your clothing catches fire, what do you do?
 - a. Run for help.
 - b. Look for water to throw on yourself.
 - c. Roll on the floor or ground, wrapping yourself in a coat, blanket, or rug, if possible.
 - d. Try to blow out the fire.
4. What should you use for light in a dark closet where there is no light bulb?
 - a. A match.
 - b. A candle.
 - c. A cigarette lighter.
 - d. A flashlight.
5. When you check extension cords in your home for fire hazards, what should you look for? Choose two.
 - a. Frayed, broken insulation.
 - b. Whether the color matches the woodwork.
 - c. Whether they run under rugs.
 - d. Whether the plug is brown or white.
6. If there are small children in your home, you should be especially careful that they cannot play with which of these?
 - a. Pile of blankets
 - b. Matches
 - c. Tennis Balls
 - d. Pots and Pans
7. In checking around a furnace for fire hazards, you should remove which of these?
 - a. Fishing rods and reels.
 - b. Table.
 - c. Garden Tools
 - d. Gasoline can, greasy rags, newspaper

Answers: 1-b, 2-b, 3-c, 4-d, 5-a-c, 6-b, 7-d

Quotations

Quotations contain the wisdom of the ages, and are a great source of inspiration for Cubmaster's minutes, material for an advancement ceremony or an insightful addition to a Pack Meeting program cover.

"One of the chief duties of a Scout is to help those in distress in any possible way that he can."

- Lord Robert Baden-Powell

"No Scout can consider himself a full blown Scout until he is able to swim and to save life in the water."

- Lord Robert Baden-Powell

"No one is born brave; ability begets confidence; confidence begets courage."

- Lord Robert Baden-Powell

"The pluck required of a scout is of a very high order."

- Lord Robert Baden-Powell

"Whoever destroys a single life is as guilty as though he had destroyed the entire world; and whoever rescues a single life earns as much merit as though he had rescued the entire world."

- The Talmud

"FEELING OF GOODWILL"--CUBMASTER'S MINUTE

By Santa Clara Council

A friend of mine once told me of being on a long business trip. His car broke down in the middle of nowhere and he was going to be late for a very important meeting. Just then a farmer came around the corner on a hay wagon, and pulled over to see what was wrong. The farmer and his son often fixed their own machinery and they were quickly able to get my friend's car running again.

My friend offered to pay the farmer and his son for their help, but they refused. He insisted that they must take something because they had saved him so much by letting him get to his meeting on time.

The farmer replied that he and his son now had something far more valuable than the businessman could give them. They had helped someone when they did not have to. That gave

them a warm feeling about themselves. If they took the money for an act of kindness, then it would simply be a job, and take the feeling of goodwill away.

Keep your feelings of goodwill by helping others. It will be the most valuable reward you will ever receive.

"BE PREPARED"--CUBMASTER'S MINUTE

By Santa Clara Council

Being a hero does not mean that you must risk your own life. It can mean getting help, or making a phone call to 911 to get the police, or fire department, or an ambulance. The key is to use wisdom and judgment, but to do it quickly. Sometimes time is limited. You can save a drowning person by pulling them in with a life ring, and not become a victim yourself by jumping in after them. Many times an adult has been saved because a child knew to call 911 in an emergency and get help right away. You never know when or where emergencies will arise. Cub Scouting teaches us to handle these situations. We don't expect to get hurt, and don't expect to need first aid, but we are prepared just in case. Do Your Best!

Mini First Aid Kit

By Grand Canyon Council

Materials:

- film canisters (one for each boy)
- 3-foot lengths of colorful yarn
- red Sharpie™
- awl (for poking a hole)
- board to back up awl
- paper clip or yarn sewing needle
- computer labels
- Band-Aids™
- alcohol wipes (mini package)
- safety pin
- (We used include a quarter for pay phone but 911 will go though without money)

Instructions:

1. Give each boy a film canister; this will hold the mini first aid supplies.
2. Take the top off the canister.
3. Use the awl to poke a hole in the top center of the top.
4. Take the sewing needle and pull a loop of yarn through the top so that there is a loop sticking out that is big enough to go around the

boys head.

5. Knot the yarn on the inside so that the yarn loop cannot be pulled through the top.
6. Lacking a yarn needle use the paper clip to perform the same operation. Make a yarn needle out of the paper clip.
7. Bend the paper clip out straight and put a small loop at one end (the eye of the needle).
8. Next, use the Sharpie™ to make a "Red Cross" on the label.
9. Wrap the label around the canister.
10. Insert the Band-Aid™, the alcohol wipe and the safety pin in the canister.
11. Ta Da - you have an instant first aid kit for the boy to wear around his neck.



Helping Hand Yo-Yo
By Great Salt Lake Council

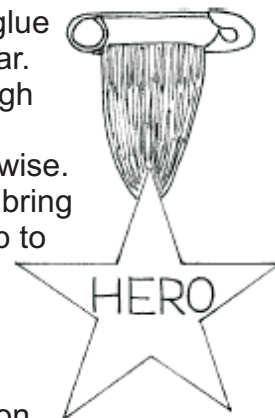
- ½ cup dry split peas
 - 1 inexpensive knit glove (such as magic glove)
 - 30 inches of flat elastic, ¼ to ½ inch wide
 - Hot glue gun
- Pour the peas into the glove. Tie a knot at one end of the elastic, and place the knotted end into the cuff of the glove. Run a line of hot glue across the inside of the cuff. Using a towel or glove to protect your hand, push the glove together, squeezing the hot glue across the inside of the cuff of the glove. Be careful not to touch the hot glue. When the glue is cool, tie a large loop (big enough to go around your wrist) in the other end of the elastic. Can be used to play tag. Or to go hand fishing. Cut a few fish shapes from carpet (or craft foam) and stick the barbed half of a self adhesive Velcro closure to each one. Place your fish in the center of a "pond" (a large rug is fine). Stand on the shore and launch the hand yo-yo toward the fish.

HERO'S MEDAL

By Santa Clara Council

- Materials:** Stiff paper (cardboard, tag board); Wide ribbon (3-4" long); Large safety pin.
1. Fold a regular piece of note paper and cut out a star shape.
- For instructions on how to make a star, see below. Use 8 ½" x 11" paper and trim down to the size of your liking.
2. Trace the star on cardboard and cut it out.

3. Decorate the star with markers and stickers. Include the word "HERO."
4. Fold the ribbon in half and glue the ends to the back of the star.
5. Slip a large safety pin through the fold in the ribbon.



1. Fold the paper in half crosswise.
2. With the fold at the bottom, bring the lower right-hand corner up to the halfway point on the left side. Crease well.
3. Fold the right-hand edge over to the left and crease.
4. Fold the remaining section on the left over to the right and crease.
5. Cut along the dotted line. The smaller portion is the star.



FIREMAN HAT SLIDE

By Santa Clara Council

Materials: Shrink plastic (commercially made or No.6 type plastic); Fine tip permanent markers (red, black, yellow); Fine sandpaper; Slide back (1/2" PVC pipe)

- Note:** The instructions below should work with commercially made Shrink-it plastic but experiment ahead of time to make sure that the plastic shrinks to your desired size. Adjust the size of the original pattern accordingly.
1. Enlarge pattern on copy machine about 165%.
 2. Lightly sand one side of the plastic.
 3. Put the plastic over the pattern and trace the hat with black marker. Color hat with red.
 4. On a separate section of the plastic, trace hat badge with black marker, color with yellow marker.
 5. Cut both pieces out.
 6. Shrink according to package directions.
 7. When cooled, glue badge in place on hat. Glue on slide back.



Wooden Whistles

By Heart of America Council

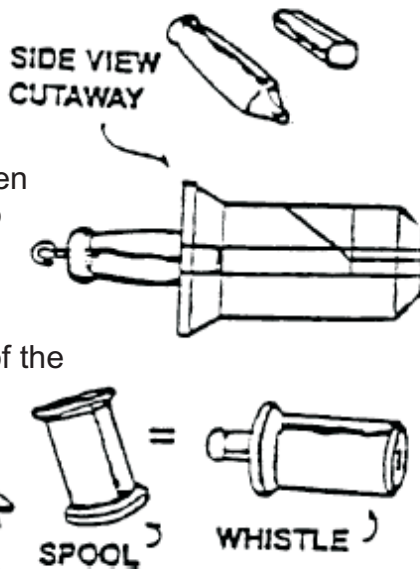
Materials:

- Wooden Clothespin
- Knife
- Sandpaper
- Wooden Dowel

1. Cut the fork off a wooden clothespin and whittle it to fit into one end of a 2" wooden spool with one flange sanded off.

2. In the flange less end of the spool, fit a slightly flattened Dowel, leaving a small gap for air to pass.

3. Now whittle a notch as shown in the cylinder of the spool



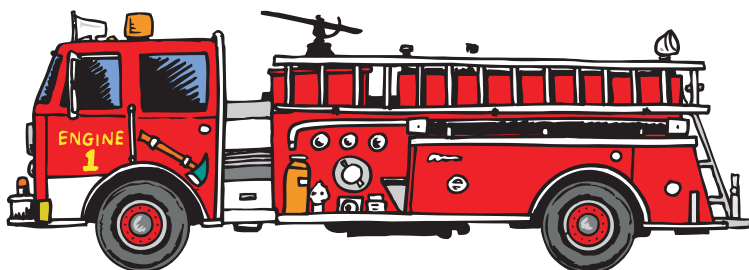
Smokey the Bear

By Heart of America Council
(Tie Slide)

Materials:

- Sweet gum balls
- Acorn caps
- Green paint
- Construction paper (red & green)
- Moveable eyes
- Large dark round seed (for nose)
- Pipe cleaner
- Glue

1. Paint acorn cap green. When dry glue to top of sweet gum ball.
2. To make brim of hat, cut a circle of green paper removing the center to fit over the acorn cap. Glue securely.
3. Cut small mouth from red paper and glue mouth and moveable eyes in place. Glue nose to center of face.
4. Bend pipe cleaner and glue to back of sweet gum ball.



CLOSING CEREMONY

Heroes

Personnel: Cubmaster or Den Leader

Cubmaster: As we come to the end of our Pack meeting, I would ask that you stop for a moment and think with me about the 56 men who signed the Declaration of Independence over 200 years ago. Five were captured and imprisoned in the war that followed. Nine died of wounds or hardships. Twelve lost their homes. Seventeen lost everything they owned. Every one of them was hunted. Most were driven into hiding. They were offered immunity, rewards, the return of their property, or freedom of loved ones if they would give up their cause. That cause was freedom. Not one did. Not one man broke his pledge. Because of men like that, men of dedication and purpose, we enjoy living in a free country today.

HERO CLOSING

By Santa Clara Council

Props: Large cards spelling out H-E-R-O, with lines on the back for the boys to read.

H Help is on the way. A hero is someone who helps.

E Everyone can be a hero. You just have to be prepared and know that you can make a difference.

R Remember that even brave people can be afraid. It is acting even when you are scared that makes you brave.

O One person can make a difference. One person who helps can change someone's world.

HOMETOWN HEROES CLOSING

By Santa Clara Council

C.S.#1: All of our Hometown heroes are hard working people. You won't find a shirker in the bunch.

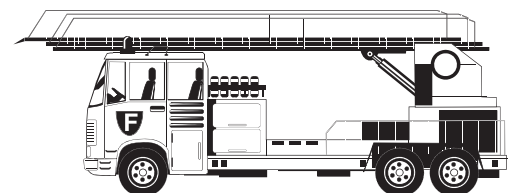
C.S.#2: All are Americans trying to improve this country of ours.

C.S.#3: As we leave here tonight, let us keep those hard working Americans in our mind.

C.S.#4: Do the same as they do--do more than your share.

C.S.#5: Help your parents whenever they ask and even when they don't.

C.S.#6: Maybe someday, there will be a boy who will say you are his hero.



HOMETOWN HERO CLOSING

By Santa Clara Council

Cubmaster: This month we have learned some important lessons about being heroes. I challenge you all to "Do Your Best" to be someone's hero. Take a moment to think about how we can live up to the words of Bill Elliot...
 Do more than belong...participate
 Do more than believe...practice
 Do more than be fair...be kind
 Do more than forgive...forget
 Do more than dream...work
 Do more than teach...inspire
 Do more than live...grow
 Do more than be friendly...be a friend
 Do more than give...serve

CLOSING - SOMEBODY ELSE RECRUITING

By Great Sauk Trail Council

During the meeting have distributed to all adults small birthday type candles.
 Group of Scouts to one side - (They will repeat the Cub Scout Promise later)
 Boy with lit candle and parents come forward to Cubmaster.

LEADER: (name), I see you enjoyed your first pack meeting tonight. You carry with you the spirit of Cub Scouting. Would you like to join our pack?

BOY: Yes, I would like to become a Cub Scout.

PARENTS: Yes, (name), would make a fine Cub Scout.

LEADER: we would be very pleased to have him join our pack. However, if your sons is to receive a quality Cub Scout program we need help from the parents as pack and den leaders and as pack committee persons.

DAD: I can't help! I work. You'll have to ask somebody else.

MOM: I can't help! I have house work. You'll have to ask somebody else.

LIGHTS OUT.....

LEADER: There's a clever young fellow named somebody else. There's nothing this fellow can't do... He's busy from morning 'till way late at night. Just substituting for you. You're asked to do this or

Asked to do that, And what is your ready reply?
 "Get Somebody else", Mister Cubmaster, "I know He'll do it much better than I."

There's so much to do in our scouting, so much and the workers are few... and somebody else is getting weary and worn Just substituting for you. So next time you're asked to do something worthwhile, Just give this reply: "If somebody else can give time and support you bet your last dime so can I."

(Pack leaders & committee should be ready to come forward)

LEADER: To give our sons a meaningful Cub Scout experience we need somebody else - A small group of parents can not do it themselves.

LEADER: The Cub Scout Spirit Burns dimly in the boys hand and heart.

(Committee Chairman comes forward and lights candle)

(Pack and Den Leaders come forward and light their candles)

ALL ABOVE AID IN LIGHTING PARENTS CANDLES THROUGHOUT THE ROOM.

Honesty

By Great Salt Lake Council

Lord Baden-Powell, the founder of Scouting, said, "Honesty is a form of honor. An honorable man can be trusted with any amount of money or other valuables with the certainty that he will not steal it." When you feel inclined to cheat in order to win a game, just say to yourself, "After all it's only a game. It won't kill me to lose." If you keep your head this way, you will find that you are the winner after all.



Webelos Craftsman

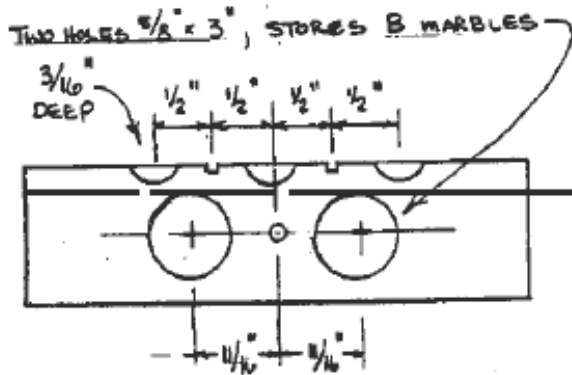
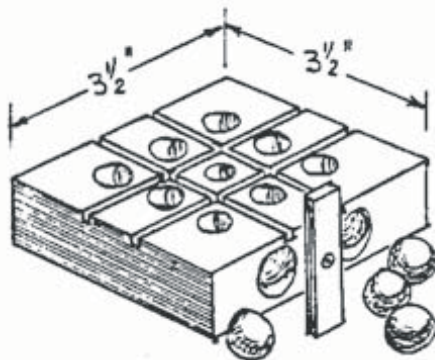
Tie Tac Toe

Description: Good old fun tic tac toe with its own marble storage.

- Materials:** One 4" x 4" x 1" fir
 One 1/4" x 5/8" x 2 1/8" pine
 One #6 x 1" round head screw
 Eight marbles

Directions:

1. Cut box to size and sand.
2. Layout grooves and holes.
3. Cut grooves with back saw or hand saw 1/8" deep.
4. Use countersink bit in hand drill for the 9 top holes.
5. Use zip bit in drill press for the 2 storage holes.
6. Cut and install marble door with screw.
7. Sand, paint or finish with mm-wax.

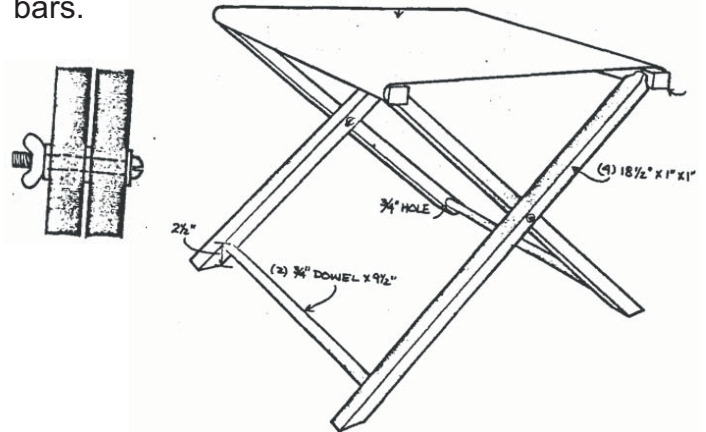


Camp Stool

By Heart of America Council

- Materials:** Four 1" square 18 1/2" long legs
 Two 1 1/8" square 11" long top bars
 Two lower cut rails from 3/4" dowel each 9 1/2"
 Long 1/2 yard sturdy 11" wide material
Directions: Shape the upper ends of the legs as shown in the sketch so they'll fit into 5/8" holes bored in the top bars. the centers of the holes should

be 7 5/8" apart in one bar and 9 5/8" apart in the other. The lower rails of the stool should be fitted into 3/4" cavities drilled 2 1/2" from the bottom of each leg. Join the two stool supports by boring a hole in the middle of each leg. Insert a bolt through each pair of crossed legs, with a washer on either side of the legs and another placed between them (see sketch), and secure the bolt with a wing nut. Finally, stretch 1/2 yard sturdy 11" wide material over the top of the stool and nail cloth securely to the underside of the bars.



Leprechaun's Pipe Trick

Using pattern (not actual size, enlarge to desired size) cut a pipe from 1/4" plywood. Sand smooth and paint it green. Have them try to balance the end of the pipe on the end of their finger - (It can't be done). Then have them place their belt in the groove at the rounded end of the pipe and try again. (It works).



Webelos Readyman

By Heart of America Council

General Directions for Giving First Aid -American Red Cross

- Keep the injured person lying down.
- Do not give liquids to an unconscious person.
- Restart breathing with mouth-to-mouth artificial respiration.
- Control bleeding by pressing on the wound.
- Dilute swallowed poisons and call the poison Control Center.
- Keep broken bones from moving.
- Cover burns with thick layers of cloth.
- Keep heart-attack cases quiet and give cardiopulmonary resuscitation (CPR) if it is necessary and if you have been trained.
- Keep a fainting victim lying flat.
- For eye injuries, pad and bandage both eyes.

Always call a doctor.

Possible Kit

By Heart of America Council

(It's possible that what you forgot is here.)

1. 35 mm film canister
2. Rubber bands
3. Masking tape
4. 2 thumb tacks
5. 4 paperclips
6. 2 band aids
7. 1 piece of chalk
8. 6 straight pins
9. Book matches
10. Fish line & fishhook
11. 2 safety pins
12. 1 dime
13. 2 kitchen matches
14. 1 razor blade
15. 2 stamps
16. 1 pencil stub
17. 1 piece of string



Soap Leaves

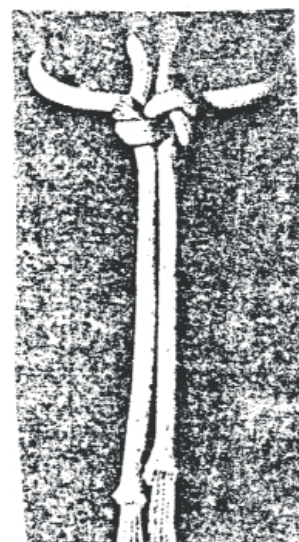
By Heart of America Council

Soak a paper towel in a solution of 50% liquid dish soap and 50% water, lay out to dry. Cut into 2"x3" strips and staple together. They can be used to wash up when you don't have a bar of soap handy. (1 leaf at a time is enough)

Slide of the Month: Emergency Slides

By Heart of America Council

This idea may come in handy when you find yourself without a slide. All you need is a 12" piece of 1/8" or 3/16" cord, either twisted or braided. I happened to have some nylon parachute cord, which worked out nicely.



Matchstick Pulse Meter

By Heart of America Council

Your pulse can be converted to a visual display, as the scientists say. you can easily make this pulse-watching device with a bit of clay and a matchstick.

1. Roll a ball of clay about the size of a dime. Stick a wooden match into the ball.

2. Place it on your wrist. Shift it around until you find the spot with the strongest beat.

3. Impress your friends, tell them you have made a device to test cardiac beat frequency.

Ask if you can try it out on them.

(You can also use a thumbtack base.)

WEB SITES

These sites are current as of 10-17-09

[Http://www.parentunits.com/hst.html](http://www.parentunits.com/hst.html)

[Http://kidshealth.org/parent/firstaid_safe/](http://kidshealth.org/parent/firstaid_safe/)

[Http://www.kidsdomain.com/kids/links/First_Aid.html](http://www.kidsdomain.com/kids/links/First_Aid.html)

[Http://www.dltk-kids.com/crafts/miscellaneous/fireweek.html](http://www.dltk-kids.com/crafts/miscellaneous/fireweek.html)

[Http://www.teach-nology.com/crafts/tp/](http://www.teach-nology.com/crafts/tp/)

[Http://www.michaels.com/art/online/projectsheet?pid=23129&categoryid=](http://www.michaels.com/art/online/projectsheet?pid=23129&categoryid=)

[Http://www.myhero.com/myhero/home.asp](http://www.myhero.com/myhero/home.asp)

[Http://www.heroesforchildren.org/Events/HFC5K/tabid/78/Default.aspx](http://www.heroesforchildren.org/Events/HFC5K/tabid/78/Default.aspx)

[Http://childrentoday.com/resources/articles/fire_safety.htm](http://childrentoday.com/resources/articles/fire_safety.htm)

[Http://www.nfpa.org/sparky/index.html](http://www.nfpa.org/sparky/index.html)



[Http://www.smokeybear.com/kids/default.asp](http://www.smokeybear.com/kids/default.asp)

<http://www.bestofkids.net/coloring-pages-heroes.shtml>

FEMA for Kids: www.fema.gov/kids

This is a kids site from the Federal Emergency Management Agency, that teaches how to prepare for disasters and prevent disaster damage

Free Sesame Street Fire Safety Station Brochures
[Www.usfa.fema.gov/applications/publications/display.cfm?id=208](http://www.usfa.fema.gov/applications/publications/display.cfm?id=208)

Teach your kids about fire safety with free U.S. Fire Administration Sesame Street Fire Safety Station Color and learn brochures and handouts

Free McGruff the Crime Dog Comic Activity Book
[Www.mcgruff.org](http://www.mcgruff.org)

Request a free McGruff the Crime Dog comic activity book and trading cards for your kids.

You can order these items FREE from FEMA (Federal Emergency Management Agency):

- Activity Book: Let's Have Fun with Fire Safety - Ask for: 9-1548
- Brochure: Family Disaster Supply Kit
- Coloring Book: Disaster Preparedness - Ask for: 8-1123
- Door Knob Hanger: Fire Safety. Ask for 5-0200
- Book: Adventures of Julia and Robbie - Ask for FEMA 344
- Brochure: Wildfire-Are you Prepared? 5-228 L203
- Brochure: Safety Tips for Hurricanes 0-17 L 105
- Brochure: Tsunami! The Great Waves of the West Coast 0-332 L194

Call 1-800-480-2520 or

Write to:

FEMA

P.O. Box 2012

Jessup MD 20794-2012

FEMA items cannot be shipped outside of the U.S.

Adults info

[Http://life.familyeducation.com/role-models/Values/36548.html](http://life.familyeducation.com/role-models/Values/36548.html)

[Http://www.childrensmemorial.org/friends/foundation/Heroes-Magazine.aspx](http://www.childrensmemorial.org/friends/foundation/Heroes-Magazine.aspx)